

2J520

2J520W

(DATASHEET)

Type
Frequencies


LTE Antenna
AMPS (824-894 MHz)
ISM (868 MHz)
GSM (900 MHz)
DCS (1800 MHz)
PCS (1900 MHz)
3G (UMTS 2.1 GHz)
WIFI / BLUETOOTH (2.4 GHz)
LTE (790-860/2500-2690 MHz)

Mounting
Revision

Glass Mount
00




P. Tipul


D. Noble

1. PRODUCT SELECTION

2J520 Black version
2J520W White version

2. SPECIFICATION

2.1. Electrical Specifications

| | |
|-----------------------|--|
| Frequencies | AMPS (824-894 MHz) ISM (868 MHz) GSM (900 MHz) DCS (1800 MHz) PCS (1900 MHz) 3G (UMTS 2.1 GHz) WIFI / BLUETOOTH (2.4 GHz) LTE (790-860/2500-2690 MHz) |
| Impedance | 50 Ohms |
| Polarization | Horizontal |
| Gain | 2.14dBi |
| VSWR | <2:1 |
| Power handling | 25W |
| Operating temperature | -40°C to +85°C |

2.2. Connection Specifications

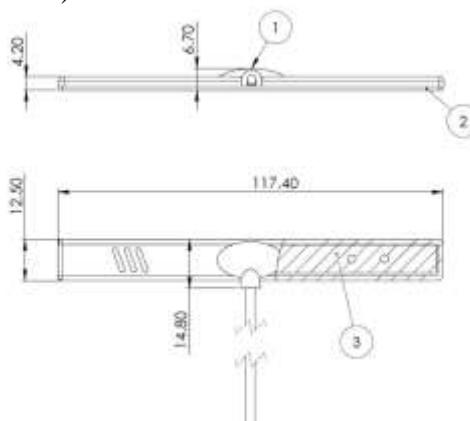
Connector type: SMA male
Cable: RG174U
Cable length: 30 cm

For different cable and connector type ask our sales team.

2.3. Mechanical Specifications and Dimensions

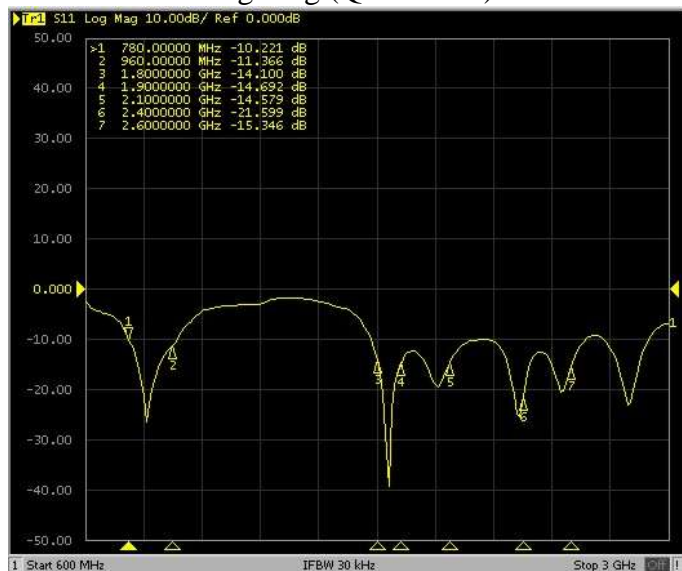
2.3.1. Glass Mount

Material: PVC
Max. dimensions: 6.7mm x 119mm x 14.8mm (H x L x W)
Weight: 13 g 'weight with 250cm cable length and SMA connector'
Colour: Black or White(for different colours please ask our sales team)



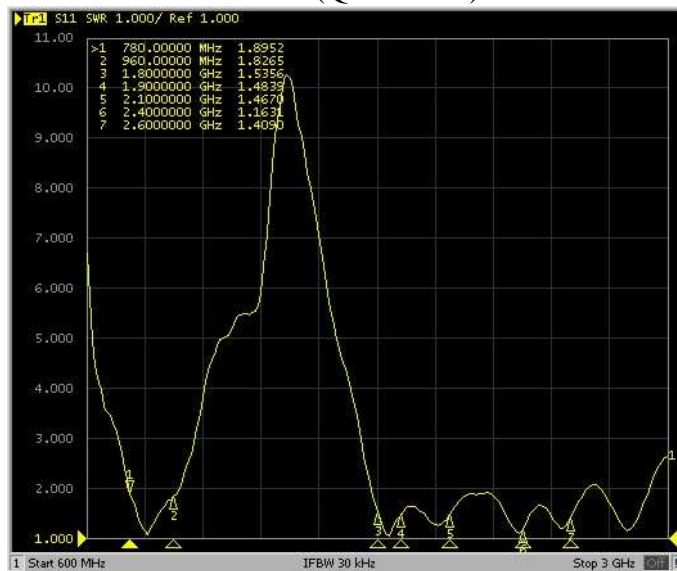
3. MEASUREMENT

Log Mag (Quad Band)



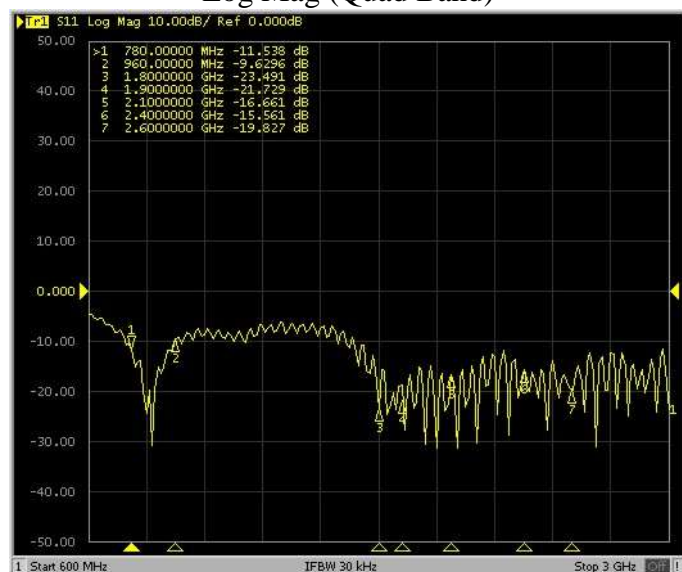
Tested with 30cm cable length and 6mm thin glass.

VSWR (Quad Band)



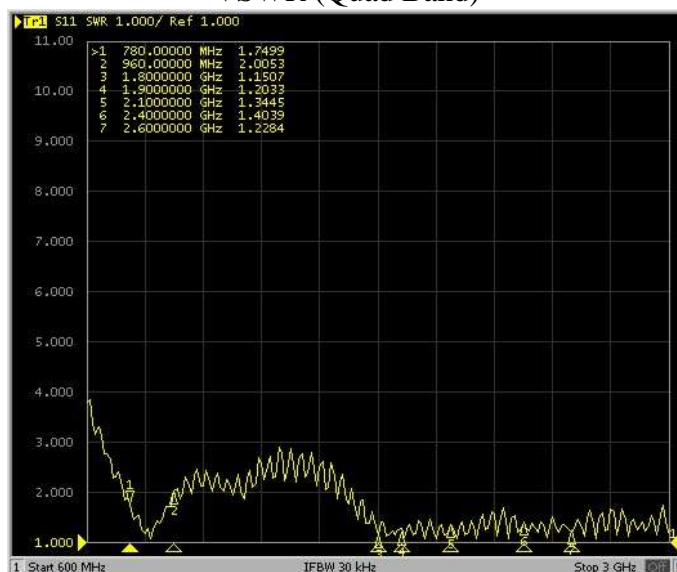
Tested with 30cm cable length and 6mm thin glass.

Log Mag (Quad Band)



Tested with 250cm cable length and 6mm thin glass.

VSWR (Quad Band)



Tested with 250cm cable length and 6mm thin glass.